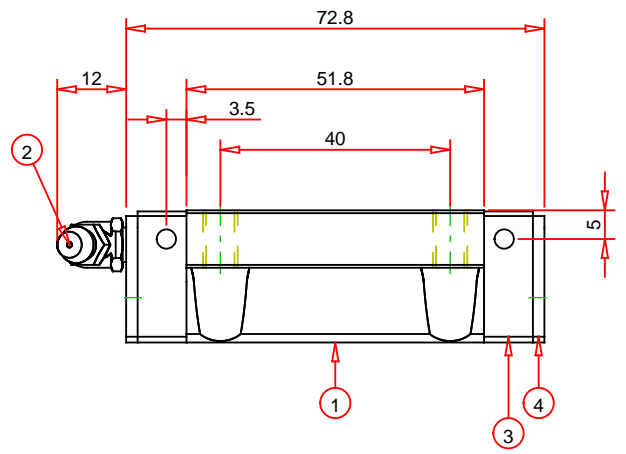
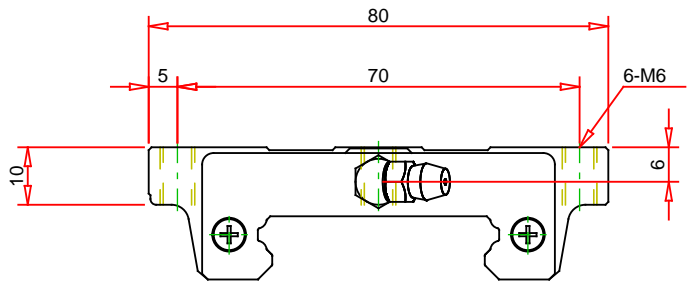


Series	WE Series
Block Type	Flange Type
Model Size	27
Load Type	Heavy Load
Block Mounting	Top or Bottom
Block	Standard Block
Preload Class	Medium Preload (0.03 ~ 0.05C)
Precision Code	C
Dust Protection	Standard protection (End seal and bottom seal)



4	End Seal	2
3	End Cap	2
2	Grease Nipple	1
1	Block	1
No.	Part Name	Qty

Notes : - Drawing not to scale
- Dimensions subject to change without notice

Part No. :
WEW27CCZAC

Description :
WE Series - Interchangeable Type - Block



Hiwin Technologies Corp.

Address : No. 7, Jingke Road
Taichung Precision Machinery Park
Taichung 40852, Taiwan
Tel. : +86 25 68021803
Email : sales@njskt.com
Web : www.njskt.com