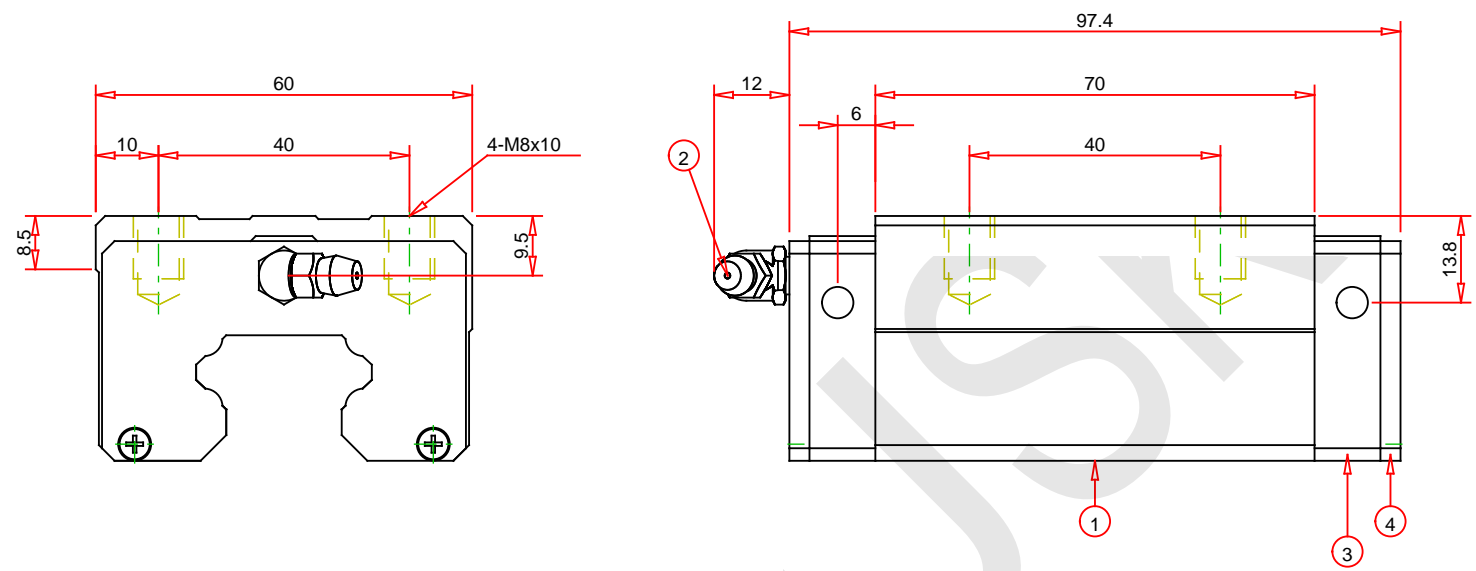


| | |
|-----------------|------------------------------------------------|
| Series | HG Series |
| Block Type | Square Type |
| Model Size | 30 |
| Load Type | Heavy Load |
| Block Mounting | Mounting from Top |
| Block | Standard Block |
| Preload Class | Medium Preload (0.05 ~ 0.07C) |
| Precision Code | C |
| Dust Protection | Standard protection (End seal and bottom seal) |



| | | |
|-----|---------------|-----|
| 4 | End Seal | 2 |
| 3 | End Cap | 2 |
| 2 | Grease Nipple | 1 |
| 1 | Block | 1 |
| No. | Part Name | Qty |

Notes :
 - Drawing not to scale
 - Dimensions subject to change without notice

Part No. :
 HGH30CAZAC

Description :
 HG Series - Interchangeable Type - Block

HIWIN
 Motion Control and System Technology

Hiwin Technologies Corp.

Address : No. 7, Jingke Road
 Taichung Precision Machinery Park
 Taichung 40852, Taiwan

Tel. : +86 25 68021803
 Email : sales@njskt.com
 Web : www.njskt.com